

Shaft Seal - QCI-17M-65, QCI-23M-65 Installation & Lubrication Procedure

Instruction for IP65 NEMA 17 and 23 motor/encoder using a shaft seal kit (Sold Separately). The QCI-23M-65 is for use with NEMA 23 motors with a 0.250" (6.35mm) shafts, while the QCI-23M1-65 is for use with NEMA 23 frame motor with 0.315 (8mm) shafts.

The shaft seal kit includes:

- One Shaft Seal Plate
- Two Rubber O-Rings

The o-rings are pre-lubricated and placed into their designated position. Follow the instructions "Installing the Shaft Seal" when installing for the first time.

Over time, the o-rings will wear and will need to be replaced. A worn o-ring will show discoloration in the worn area. Once an o-ring starts to discolor, it should be replaced. Refer to "Installing and Lubricating the O-rings" for o-ring replacement.

The o-rings must be installed and lubricated correctly for proper protection. Motor damages from improper installation and lubrication will not be covered under warranty.

Use Dow Corning 55 o-ring lubricant or similar.

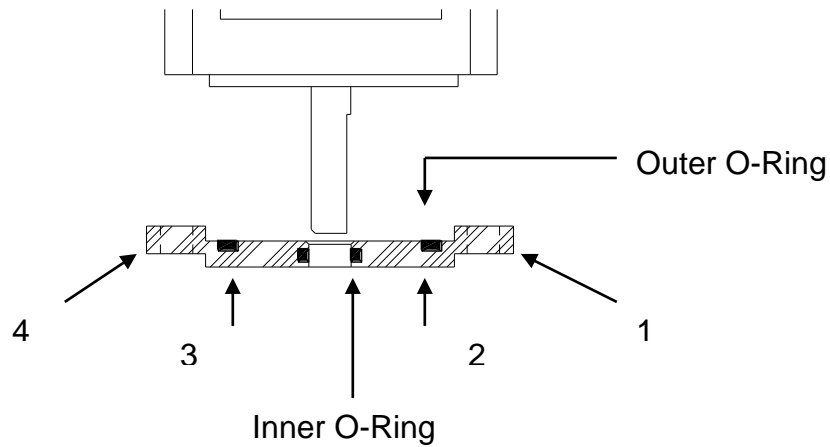
Part Numbers:

<u>O-Ring</u>	<u>QCI-17M-65</u>	<u>QCI-23M-65</u>	<u>QCI-23M1-65</u>
Inner	Q4008	Q4010	Q4011
Outer	AF568A-016	AF568A-122	AF568A-122

Installing the Shaft Seal:

The outer o-ring rest on the surface of the shaft seal and is free to move. Be careful when opening the bag, as the outer o-ring may fall out.

1. With the outer o-ring facing upward, open the shaft seal kit and remove the shaft seal plate.
2. Carefully take the shaft seal plate and slip it over the motor shaft. Gently apply force in a circular motion to move the shaft seal plate into position as shown. Inspect the o-rings to ensure they are in place and not jammed as the shaft seal slides into position.



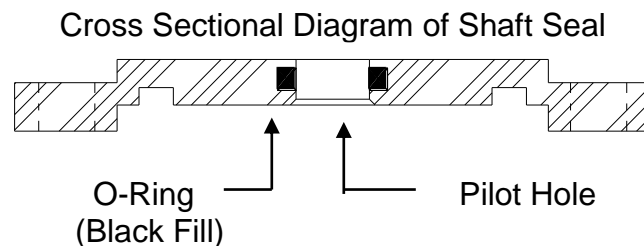
3. Secure the shaft seal with holding screws (User Provide).

Inspect the o-rings for wear depending on motor operation and replace when necessary. When the o-rings require replacement, refer to “Installing and Lubricating the O-rings.”

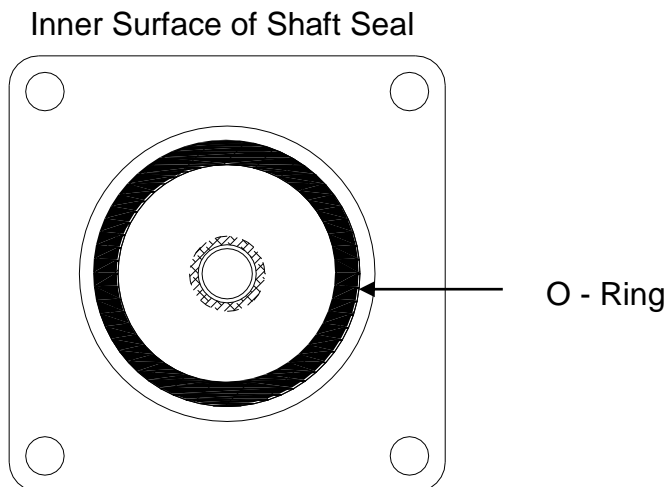
Installing and Lubricating the O-rings:

1. Wear rubber gloves on both hands. (Optional but recommended)
2. Squeeze a small amount of lubricant onto one hand.
3. Take the small o-ring and with both hands, lightly and gently rub lubricant over the surface making sure to cover the inner and outer surface of the o-ring. Add lubricant if necessary.
4. Squeeze the o-ring just enough to allow one end to insert into the groove of the shaft seals pilot hole. With the o-ring in place, use your finger or a pen to push the partly inserted o-ring inside the groove. Using your hands, gently press around the o-ring to work it into position. Do not apply too much force as to tear or disfigure its shape.

*The o-ring should be seated, completely inside the groove of the pilot hole as shown.



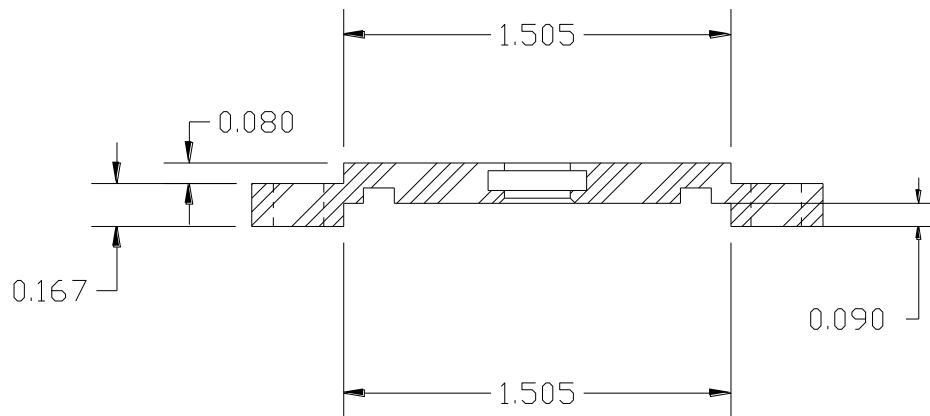
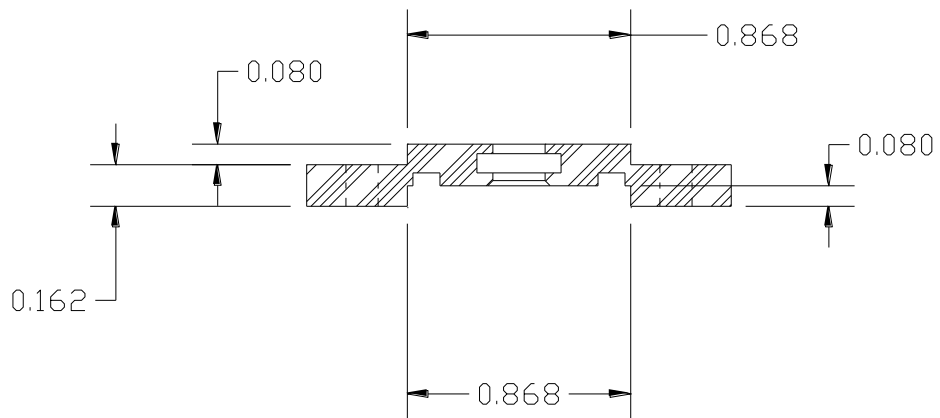
5. Take the large o-ring and with both hands, lightly and gently rub lubricant over the surface making sure to cover the inner and outer surface of the o-ring. Add lubricant if necessary.
6. Carefully set the large o-ring into position within the outer grooved circle - inner surface of the shaft seal plate as shown.



Mechanical Dimensions

(Measurements in Inches ± 0.005)

17 Frame Shaft Seal



23 Frame Shaft Seal